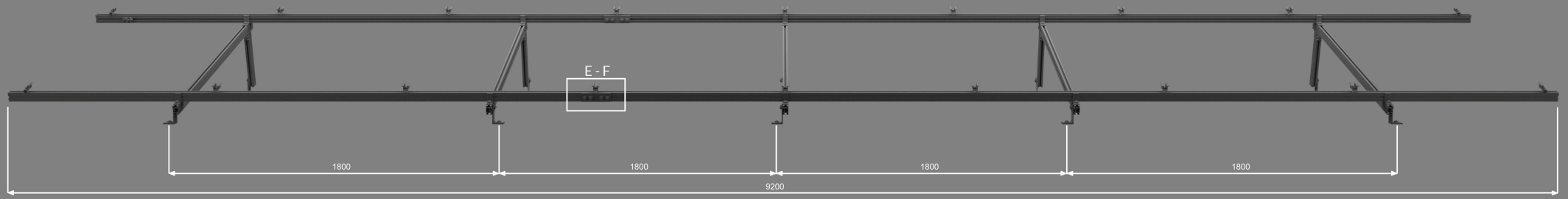
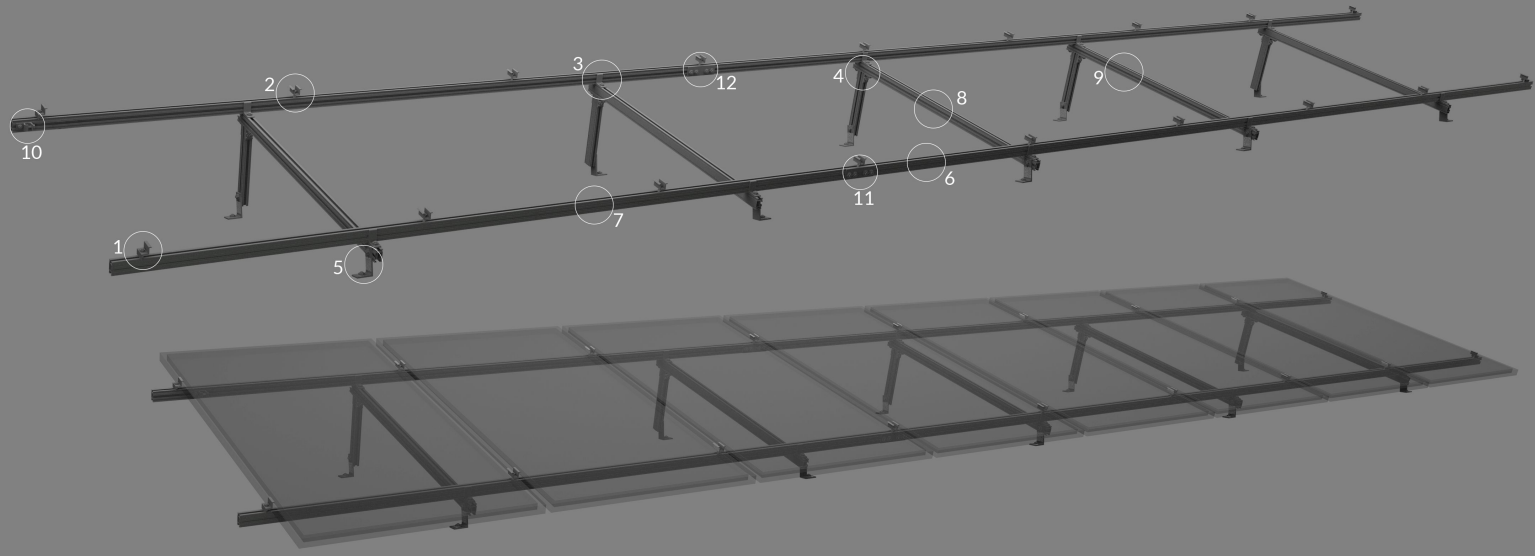
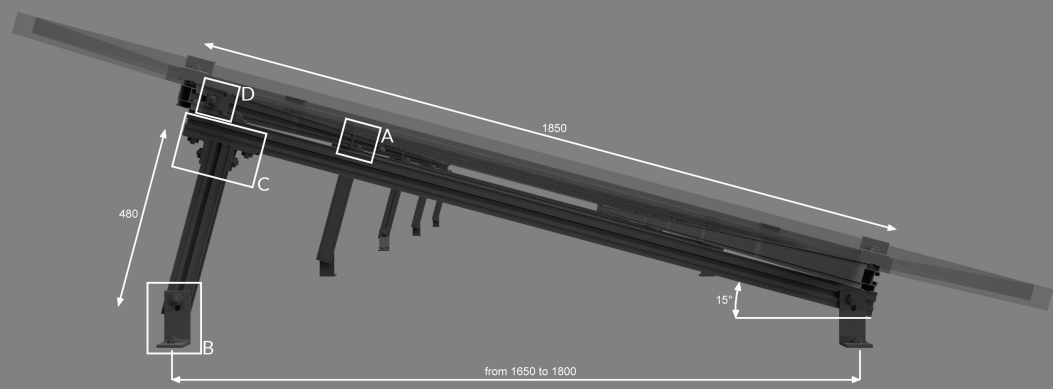


LIST OF MATERIALS

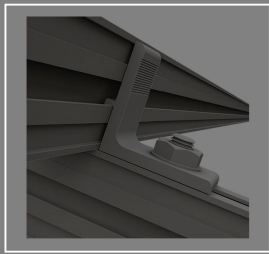
ITEM	CODE	DESCRIPTION	QUANTITY
1	OX-R6941	Kit Zeta clamp	4
2	OX-R6942	Kit Omega clamp	14
3	OX-R6990	Kit L-lock climber	10
4	OX-R6992	Kit L-lock pata trasera	10
5	OX-R6991	Kit L-foot 105x50	10
6	OX-R6970	Riel omnia strong 5.70mt	2
7	OX-R6970	Riel omnia strong 3.50mt	2
8	OX-R6970	Riel omnia strong 1.85mt	5
9	OX-R6970	Riel omnia strong 0.48mt	5
10	AT-01	Grounding lug	2
11	AT-02	Bonding Jumper	2
12	OX-R6940	Junction	2



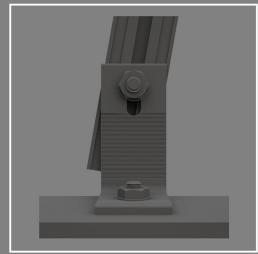
BACK VIEW



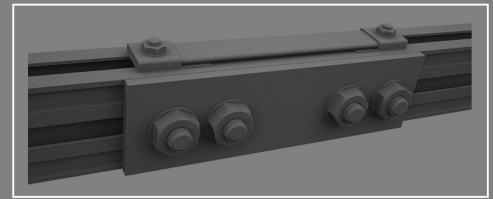
LEFT VIEW



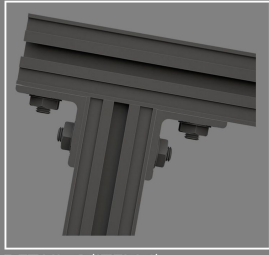
DETAIL A (ITEM 3)



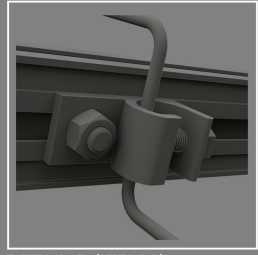
DETAIL B (ITEM 5)



DETAIL E - F (ITEM 10 - 11)



DETAIL C (ITEM 4)



DETAIL D (ITEM 9)

01	10-02-2022	EL							DATASHEET UPDATE
REV	REV DATE	DRWN	APVD	APVD	CHANGE NUMBER				DESCRIPTION
UNITS: CENTIMETERS									
DO NOT SCALE									
THIRD ANGLE PROJECTION									
<b>TOLERANCES</b> UNLESS NOTED .XX ± .01 .XXX ± .005 X / XX ± 1 / 32 ANGLES 2°									
CONFIDENTIAL THIS DRAWING IS THE EXCLUSIVE PROPERTY OF RALUX LINE PRODUCTS COMPANY AND IS TO BE USED ONLY WITH THE PRIOR EXPRESSED PERMISSION OF RALUX SOLAR									
[PRODUCTION DRAWING TITLE] RALUX OMNIA STRONG 1V - 15° INCLINATION									
<b>QUALITY PLAN</b>		APVD:	DATE:	PART NUMBER:	DRAWING NUMBER:				
QTY:	LABEL:	APVD:	DATE:	140958	140958				
0	C	APVD:	DATE:	SCALE:	X:XXX	SHEET NO:	1 OF 1	ORIGIN:	REV:
SHEET SIDE:	0	V	INSPECTION:						01